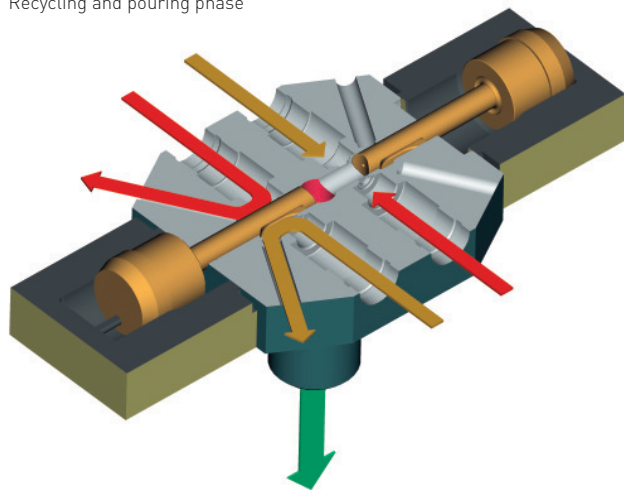




## FP2L Head

Four components high pressure mixing head designed to handle alternatively two different formulations. This double mixhead is designed in a way that two mixing chambers (facing each other) are sharing one common pouring chamber.

Recycling and pouring phase

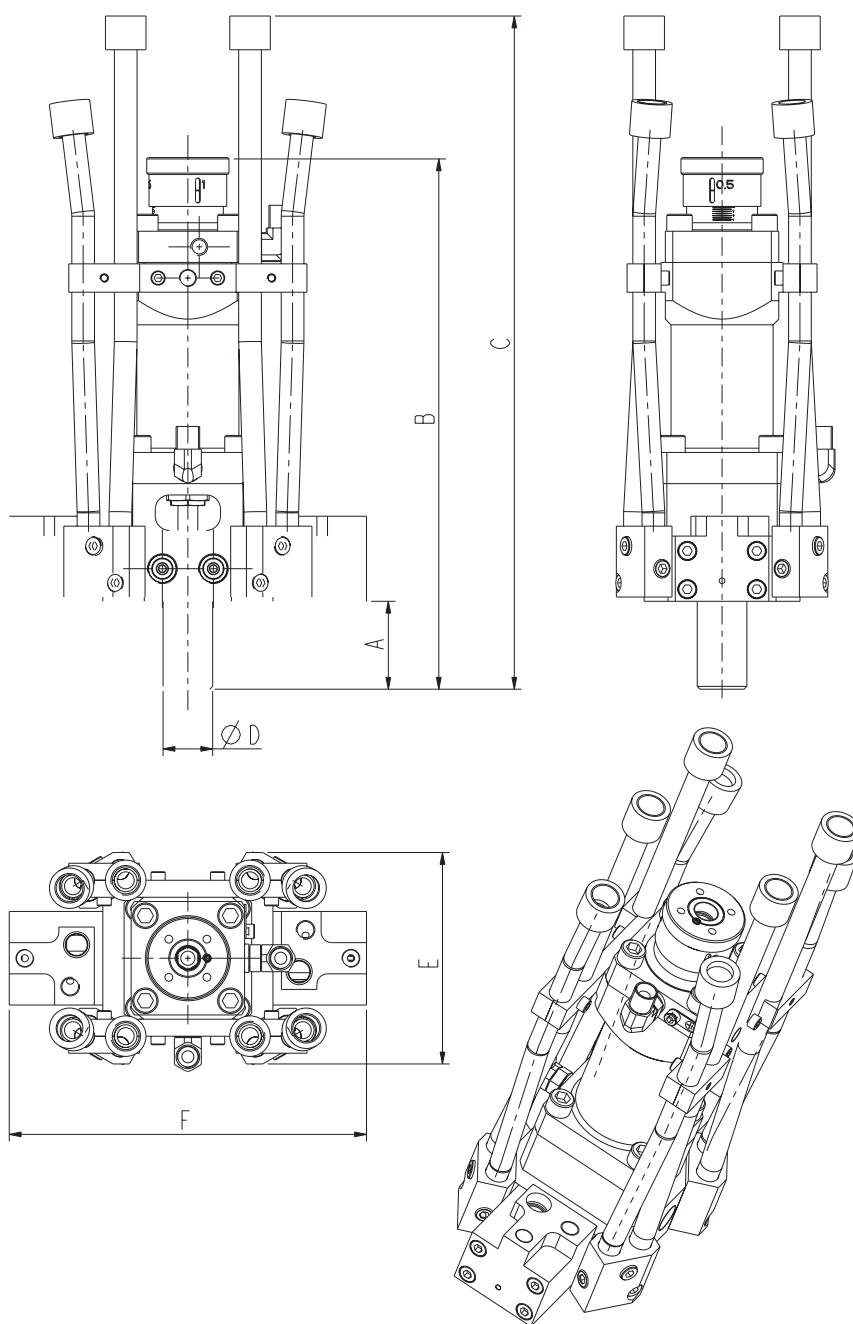


	FP2L14	FP2L22	FP2L32
Min. output of poly stream ( cc/sec )	35	90	220
Min. output of iso stream ( cc/sec )	35	90	220
Total min output ( cc/sec )	90	240	550
Max. output of poly stream ( cc/sec )	360	850	2850
Max. output of iso stream ( cc/sec )	360	700	2850
Total max output ( cc/sec )	600	1400	4600
Total max laminar flow ( cc/sec )	300	550	1600

All values are calculated in cc/sec considering poly viscosity <1000. All components are considered without filler and 150 bar pressure.



	A	B	C	D	E	F	WEIGHT
<b>FP2L14</b>	62 mm	374 mm	475 mm	35 mm	150 mm	252 mm	20.0 Kg
<b>FP2L22</b>	65 mm	477 mm	/	30 mm	178 mm	299 mm	27.8 Kg
<b>FP2L32</b>	99 mm	689.5 mm	700 mm	56 mm	241 mm	356 mm	73.2 Kg



All data are subject to variation without notification due to continuous technical/technological developments